

The All-Purpose Gas Transport, Storage and Supply Vessels

Introducing the Euro-Cyl

- Ideal for transportable or stationary gas supply
- Easy to adjust pressure control
- Front-mounted valves and instruments within easy reach and visibility
- European Ready ... TPED coded

Superior Performance

- Rugged, maneuverable and fast filling
- Gas and/or liquid withdrawal
- Continuous flow rates from 21 Nm³/h to 42 Nm³/h
- Automatically optimizes operating pressure and reduces losses

Cost Effective

- Super-insulation provides long holding time and low nominal evaporation rate
- All stainless steel construction and inner support system for durability and long life
- Compact vertical design improves performance and space utilization
- Chart's combination regulators allow easy pressure adjustment using a built-in pressure scale



Three Convenient Sizes

- 600 Liters
- 800 Liters
- 1000 Liters

Popular Options

- Low pressure plumbing modification (1,7 bar, 4 bar and 15 bar)
- Top-Fill
- Add-on product vaporizer
- Gauge isolation valves
- Gas supply manifold

5-year

**vacuum
warranty**

Model		600/24	800/24	1000/24
Capacity				
Liquid (gross)	(liters)	659	897	996
Liquid (net)	(liters)	626	852	946
Gas (N ₂)*	(Nm ³)	404	550	611
Gas (O ₂)*	(Nm ³)	500	680	756
Gas (Ar)*	(Nm ³)	493	671	745
Gas (CO ₂)*	(Nm ³)	350	476	529
Gas (N ₂ O)*	(Nm ³)	333	453	505
Performance				
NER*** (N ₂)	(% per day)	1,6	1,5	1,5
Gas Flow (N ₂ , O ₂ , Ar) / with aux. Vaporizer	(Nm ³ /hr)	21 / 30	25 / 35	27,5 / 42
Gas Flow (CO ₂ or N ₂ O) / with aux. Vaporizer	(Nm ³ /hr)	7 / 10	8 / 11	9 / 12
Maximum Relief Valve Setting	(bar)	24	24	24
Code		TPED (EN1251)	TPED (EN1251)	TPED (EN1251)
Dimensions				
Tank Diameter	(mm)	965	1067	1067
Overall Frame Dimensions (LxWxH)	(mm)	1030 x 1030 x 1915	1130 x 1130 x 2010	1130 x 1130 x 2165
Tare Weight (approx.)**	(kg)	755	980	1035
Maximum Full Weight (Tank plus Prod.; app.) w/**				
N ₂	(kg)	1260	1668	1799
O ₂	(kg)	1469	1952	2115
Ar	(kg)	1634	2177	2364
CO ₂	(kg)	1446	1921	2080
N ₂ O	(kg)	1416	1879	2033

* At 0 bar pressure for N₂, O₂, Ar and 10 bar pressure for CO₂ and N₂O

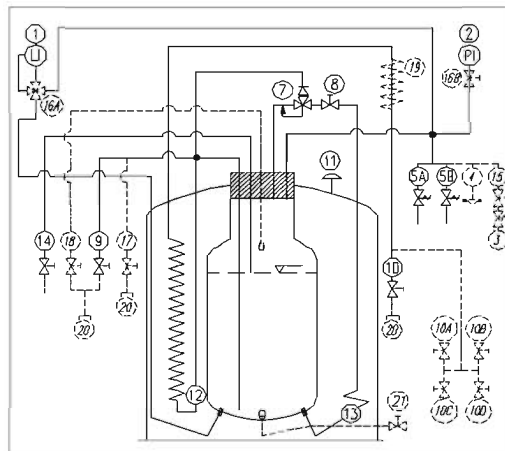
** Additional product vaporizer adds approx. 20 kg

*** NER: Nominal Evaporation Rate

Note: all models and specifications are conditional and subject to change without prior notice.

MCR Regulator

- Easily Adjustable
- Combination pressure control regulator
- Calibrated micrometer adjusting screw



No. Nomenclature

- 1 Liquid Level Gauge
- 2 Pressure Gauge
- 3 Low Pressure Relief Valve (optional)
- 4 Burst Disc (optional)
- 5 Safety Relief Valve
- 7 Regulator
- 8 Regulator Isolation Valve
- 9 Bottom Fill / Liquid Withdrawal
- 10 Gas Withdrawal (manifold optional)
- 11 Vacuum Port / Safety Disc
- 12 Product Vaporizer
- 13 Pressure Building Coil
- 14 Vent / Trycock Valve
- 15 Isolation Valve (optional)
- 16 Isolation Valve (optional)
- 17 Additional Liquid Withdrawal (optional)
- 18 Top Fill (optional)
- 19 Additional Product Vaporizer (optional)
- 20 Connection (optional)